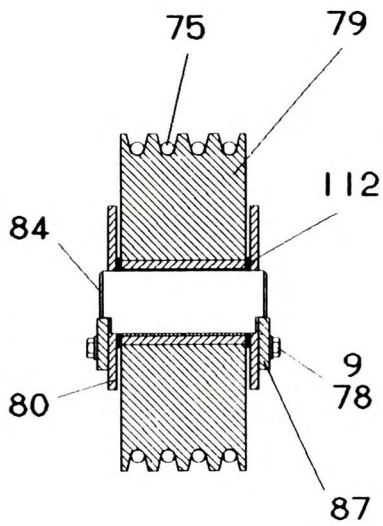


SECTION L-L

PARTIAL VIEW OF FRONT LEFT HAND SIDE OF TELE-CYLINDER



SECTION K-K

